



**Application:** Disinfection of municipal drinking water.

**Location of the installation:** Surami city, Georgia



Surami city

**City population:** ~13 000 people.

**Drinking water consumption:** ~ 120 m<sup>3</sup>/H.



Enviolyte ELA-2000

**Type of the Enviolyte equipment:** 2 x ELA - 2 000

**Previously use technology:** chlorination

**The reasons for switching to new technology:** chlorination did not provide for reliable disinfection and traces of bacteria contamination were often detected. On the top Surami city belongs to the recreation zone known for its beneficial health impact and local authorities wanted to avoid transportation of any hazardous substance through the city territory.



**Dosing pumps for analyte**

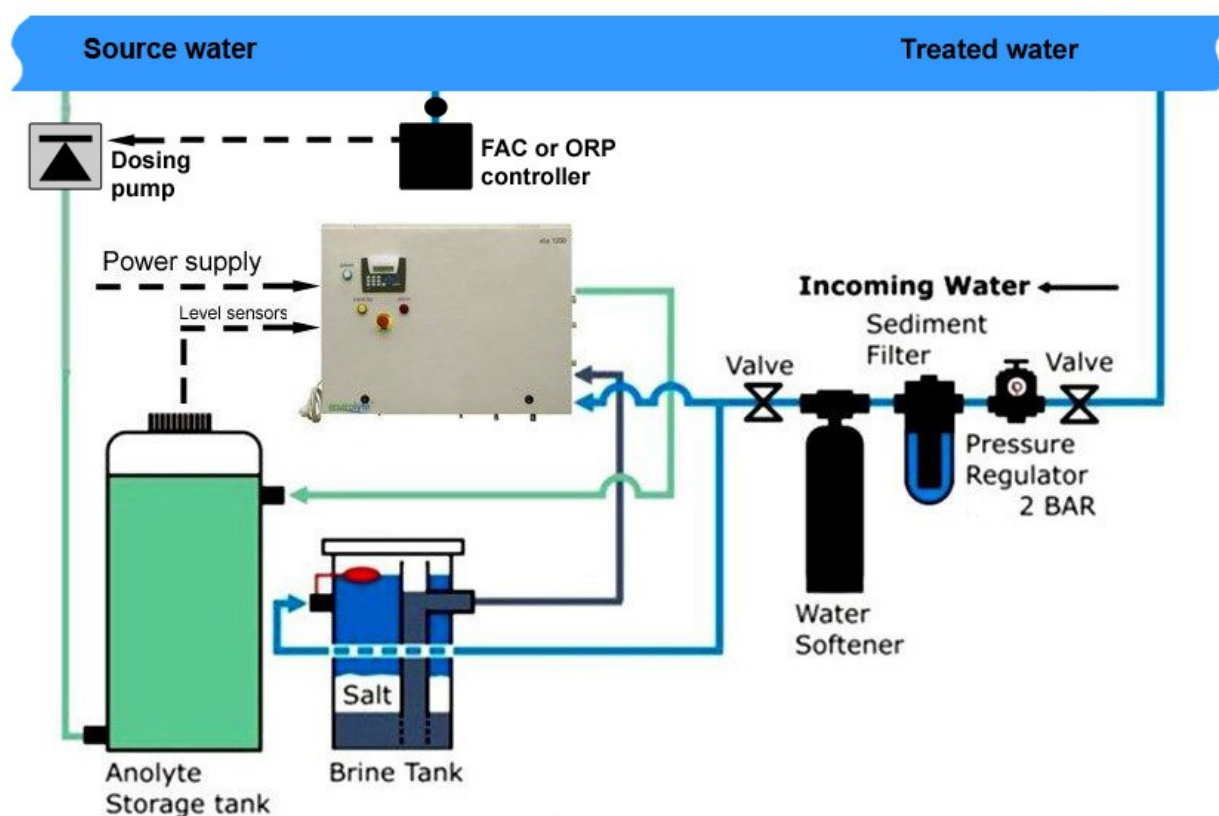


Water purification station



Control board for analyte generation and injection

Below can be seen a schematic of the systems layout



The reported benefits of using Envirolyte water disinfecting technology :

### Safety

- no dangers and setbacks associated with chlorination and/or hazards associated with transportation of the toxic substance
- no need to mix or dilute hazardous chemicals
- environmental friendly solution

### Efficiency

- elimination of biofilms and inactivation of pathogenic microorganisms including Legionella species, and nil bacteria counts
- creates a longer-lasting residual than traditional chlorination, often at a lower dosage
- right dosage, no more no less – corrosion is reduced
- significant reduction of Trihalomethane and other DBP

### Cost reducing

- Envirolyte system is fully automatic and only requires a minimal operator attention
- no need for transport, handling or storage of chlorine gas or hypochlorite
- on site installation in close proximity of urban population

© Copy right Envirolyte Industries International Ltd.  
2014